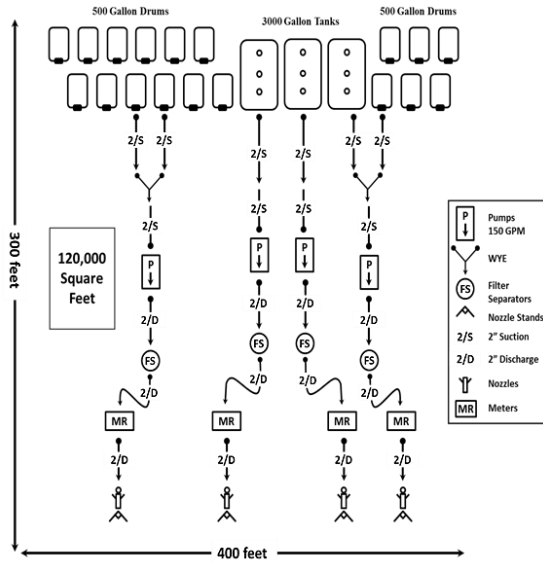


## REFUELING SYSTEM, EXPEDIENT, HELO

TAMCN: B11357B

I.D: 07387C

NSN: 4930-01-114-9930



### Functional Description

The Helicopter Expedient Refueling System (HERS) is designed for support of the helicopter refueling operations in forward area and remote sites. HERS is normally used in Forward Arming and Refueling Point operations. Versatility, easy transportation, and quick setup are the key elements of the system. The HERS has the maximum capacity of 18,000 gallons using 500 gallon bladders/3,000 gallon collapsible tanks and a pumping capability of 150 gallons per minute. HERS may be deployed as a complete system or tailored to meet specific capable mission requirements and can be used with other tactical fuel systems.

### Technical Description

#### Information

Manufacturer: Multiple Vendors  
 Model: 81A5013A0000

#### Fuel

Fuel Capacity (Gal): 1.3  
 Average Fuel Consumption (GPH): 0.4  
 Type: Diesel/JP-8/F-24

#### Shipping Dimensions

Length (in): 1,800.0  
 Width (in): 900.0  
 Height (in): 144.0  
 Weight (lbs): 6,134.0  
 Square (ft<sup>2</sup>)/Cube (ft<sup>3</sup>): 11,250.0/135,000.0

#### Operating Volume (ft<sup>3</sup>):

Approximately 3.1 Acres

**Associated TAMCNs:** B14202BA, Petroleum Testing Kit, B05707B, 500 Gallon Collapsible Coated Fabric Fuel Drum, B05737B, 3,000 Gallon Tank, Liquid Storage.

**Transportability:** Treat as cargo.

**NOTE:** Forklift support is required.

**REFUELING SYSTEM, EXPEDIENT, HELO  
(Continued)**

**References:**

Short Title	PCN	Short Title	PCN
SL-3-07387C	123 073872 00	SI 4320-OI	163 432000 00
SL-4-04486B	124 044861 00	TM 3835-OI/1B	182 036200 00
FP 4320/1	132 432000 00	TM 4320-OI	182 432000 00
MI 07387C/10802A-OI/1	160 073872 00	TM-9130-12 W/CH 01	182 900130 00
MI 4320-OI/1	162 432000 00	TM-04486B-15	184 049520 00

**Commented [JN1]:** Not listed under ID No.

**Commented [JN2]:** PCN 182 900130 01 TM-9130-12 CH001FUEL HANDLING PROCEDURES is a dead link and should be deleted. Incorporated in the TM.